



# **OPTI-V STOVE 360**

---

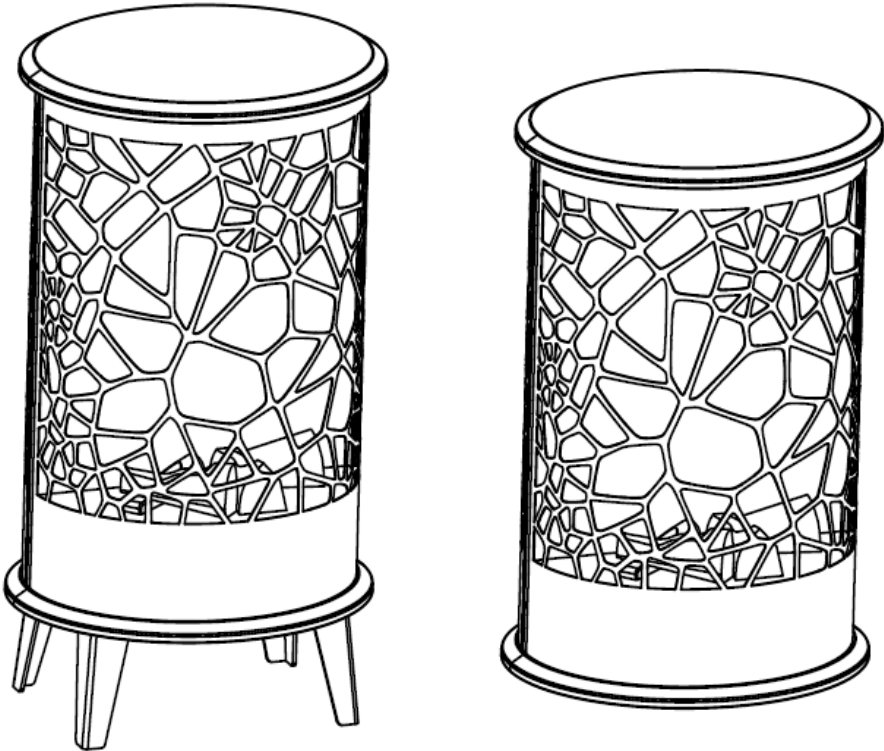
**SPARES MANUAL**

**ISSUE 1**

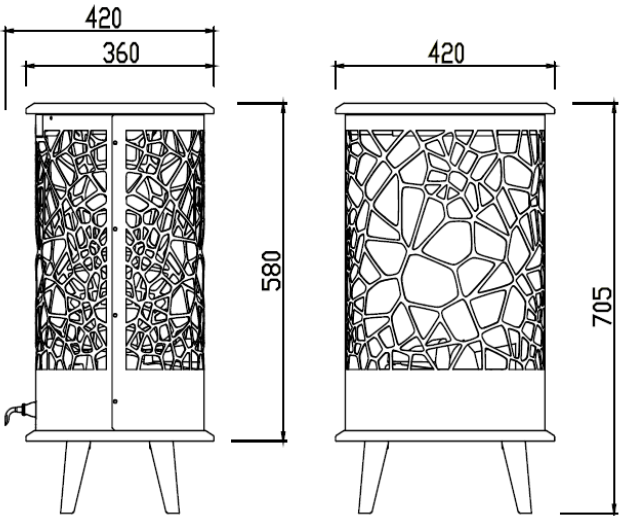
**DECEMBER 2015**

**COMPILED BY JOHN T WILKINSON**

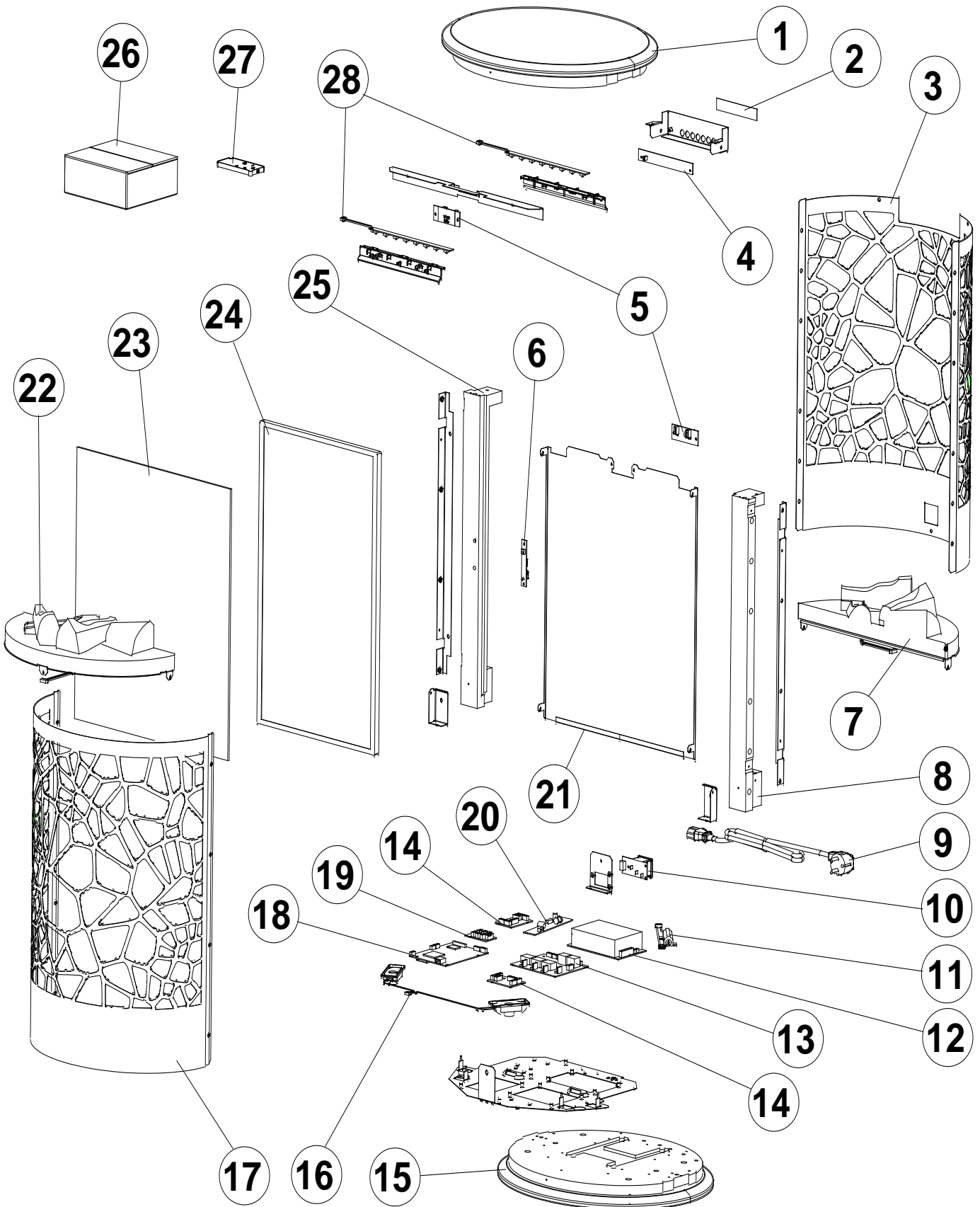
# OPTI – V STOVE 360



Model : Opti-V 360



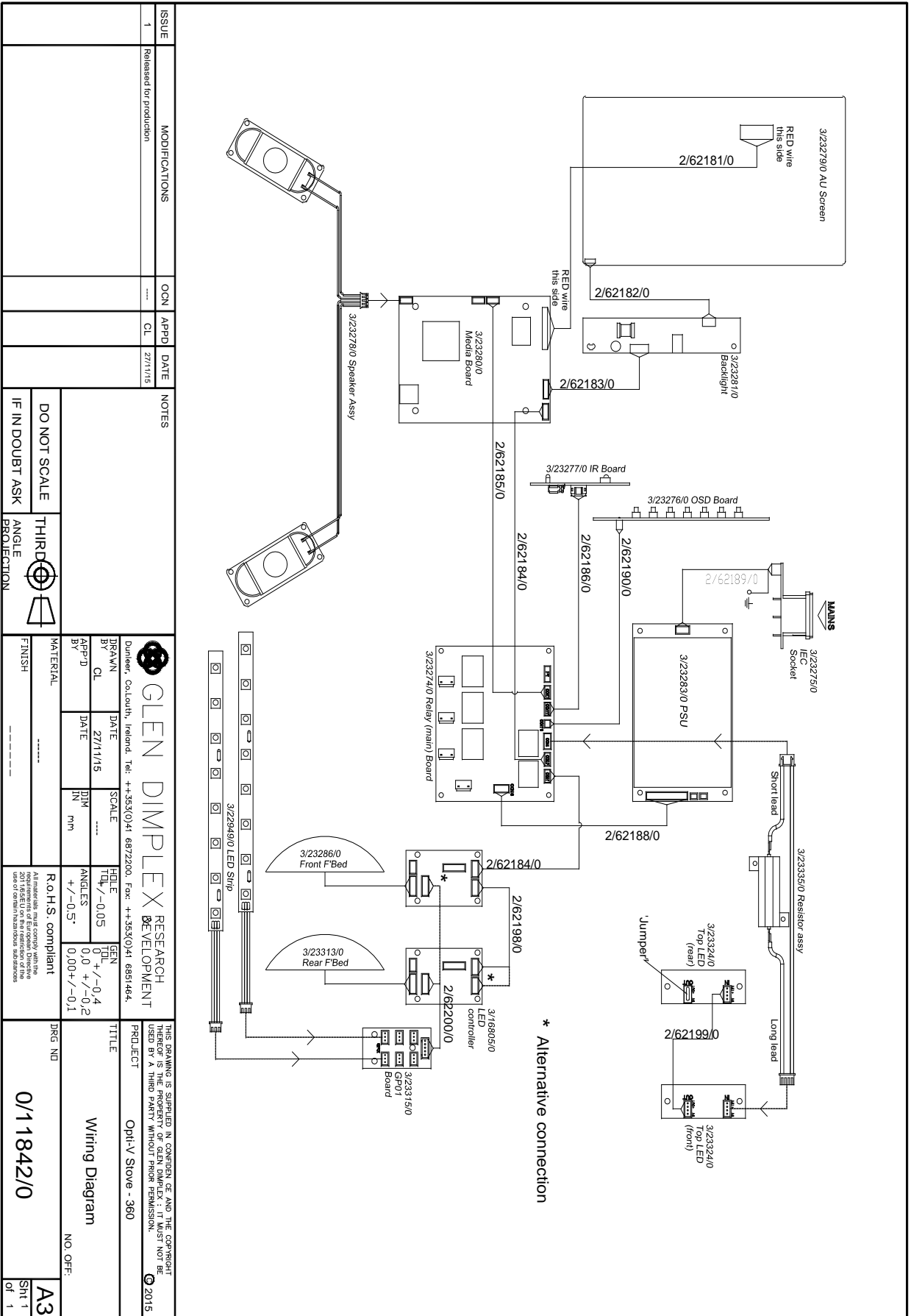
# OPTI – V STOVE 360



# OPTI – V STOVE 360

1. SP03/23265/1 CHASSIS TOP ASSEMBLY
  2. SP01/72426/0 DECAL 5 BUTTON
  3. SP41/72020/0 REAR WRAP
  4. SP03/23276/0 OSD BOARD
  5. SP03/23324/0 TOP LED
  6. SP03/23277/0 IR BOARD
  7. SP03/23313/0 FUELBED REAR
  8. SP01/72279/0 FREESTANDING FRONT LEFT
  9. SP03/22881/0 EU CORDSET
  10. SP03/23275/0 AC BOARD
  11. SP03/23335/0 LED RESISTOR ASSEMBLY
  12. SP03/23283/0 125W PSU
  13. SP03/23274/0 RELAY BOARD
  14. 7513114 LED CONTROLLER
  15. SP03/23265/2 CHASSIS BASE ASSEMBLY
  16. SP03/23278/0 2 X SPEAKER ASSEMBLY
  17. SP41/71975/0 FRONT WRAP
  18. SP03/23280/0 MEDIA BOARD
  19. SP03/23315/0 GP01 BOARD
  20. SP03/23281/0 BACKLIGHT DRIVER BOARD
  21. SP01/72151/0 REAR REFLECTOR
  22. SP03/23296/0 FUEL BED FRONT
  23. SP01/72047/0 MIRRORED GLASS
  24. SP03/23279/0 AU LCD PANEL
  25. SP01/72278/0 FREESTANDING FRONT RIGHT
  26. SP03/23228/0 FOOT PACK
  27. SP23/23312/0 5 BUTTON REMOTE
  28. 7513111 LED STRIP
- NOT SHOWN
- SP03/23348/0 STOVE UPRIGHT SD CARD

# OPTI - V STOVE 360



ISSUE	MODIFICATIONS	OCN	APPD	DATE	NOTES																																
1	Released for production	---	CL	27/11/15																																	
<table border="1"> <tr> <td>DO NOT SCALE</td> <td>THIRD ANGLE PROJECTION</td> </tr> <tr> <td>IF IN DOUBT ASK</td> <td></td> </tr> </table>						DO NOT SCALE	THIRD ANGLE PROJECTION	IF IN DOUBT ASK																													
DO NOT SCALE	THIRD ANGLE PROJECTION																																				
IF IN DOUBT ASK																																					
<table border="1"> <tr> <td rowspan="2"> <p><b>GLEN DIMPLEX RESEARCH DEVELOPMENT</b> Dunleer, Co.Louth, Ireland. Tel: ++353(0)41 6872200. Fax: ++353(0)41 6851464.</p> </td> <td> <table border="1"> <tr> <td>DRAWN BY</td> <td>CL</td> <td>DATE</td> <td>27/11/15</td> </tr> <tr> <td>APP'D BY</td> <td></td> <td>DATE</td> <td></td> </tr> </table> </td> <td> <table border="1"> <tr> <td>SCALE</td> <td>----</td> </tr> <tr> <td>BIN IN</td> <td>MM</td> </tr> </table> </td> <td> <table border="1"> <tr> <td>HOLE TOL</td> <td>/-0.05</td> </tr> <tr> <td>GEN TOL</td> <td>+/-0.4</td> </tr> <tr> <td>ANGLES</td> <td>0/0 +/-0.2</td> </tr> <tr> <td></td> <td>0.00+/-0.1</td> </tr> </table> </td> </tr> <tr> <td>MATERIAL</td> <td colspan="3">R.O.H.S. compliant</td> </tr> <tr> <td>FINISH</td> <td colspan="3">All materials must comply with the 2011 RoHS EU on the restriction of the use of certain hazardous substances</td> </tr> </table>						<p><b>GLEN DIMPLEX RESEARCH DEVELOPMENT</b> Dunleer, Co.Louth, Ireland. Tel: ++353(0)41 6872200. Fax: ++353(0)41 6851464.</p>	<table border="1"> <tr> <td>DRAWN BY</td> <td>CL</td> <td>DATE</td> <td>27/11/15</td> </tr> <tr> <td>APP'D BY</td> <td></td> <td>DATE</td> <td></td> </tr> </table>	DRAWN BY	CL	DATE	27/11/15	APP'D BY		DATE		<table border="1"> <tr> <td>SCALE</td> <td>----</td> </tr> <tr> <td>BIN IN</td> <td>MM</td> </tr> </table>	SCALE	----	BIN IN	MM	<table border="1"> <tr> <td>HOLE TOL</td> <td>/-0.05</td> </tr> <tr> <td>GEN TOL</td> <td>+/-0.4</td> </tr> <tr> <td>ANGLES</td> <td>0/0 +/-0.2</td> </tr> <tr> <td></td> <td>0.00+/-0.1</td> </tr> </table>	HOLE TOL	/-0.05	GEN TOL	+/-0.4	ANGLES	0/0 +/-0.2		0.00+/-0.1	MATERIAL	R.O.H.S. compliant			FINISH	All materials must comply with the 2011 RoHS EU on the restriction of the use of certain hazardous substances		
<p><b>GLEN DIMPLEX RESEARCH DEVELOPMENT</b> Dunleer, Co.Louth, Ireland. Tel: ++353(0)41 6872200. Fax: ++353(0)41 6851464.</p>	<table border="1"> <tr> <td>DRAWN BY</td> <td>CL</td> <td>DATE</td> <td>27/11/15</td> </tr> <tr> <td>APP'D BY</td> <td></td> <td>DATE</td> <td></td> </tr> </table>	DRAWN BY	CL	DATE	27/11/15		APP'D BY		DATE		<table border="1"> <tr> <td>SCALE</td> <td>----</td> </tr> <tr> <td>BIN IN</td> <td>MM</td> </tr> </table>	SCALE	----	BIN IN	MM	<table border="1"> <tr> <td>HOLE TOL</td> <td>/-0.05</td> </tr> <tr> <td>GEN TOL</td> <td>+/-0.4</td> </tr> <tr> <td>ANGLES</td> <td>0/0 +/-0.2</td> </tr> <tr> <td></td> <td>0.00+/-0.1</td> </tr> </table>	HOLE TOL	/-0.05	GEN TOL	+/-0.4	ANGLES	0/0 +/-0.2		0.00+/-0.1													
	DRAWN BY	CL	DATE	27/11/15																																	
APP'D BY		DATE																																			
SCALE	----																																				
BIN IN	MM																																				
HOLE TOL	/-0.05																																				
GEN TOL	+/-0.4																																				
ANGLES	0/0 +/-0.2																																				
	0.00+/-0.1																																				
MATERIAL	R.O.H.S. compliant																																				
FINISH	All materials must comply with the 2011 RoHS EU on the restriction of the use of certain hazardous substances																																				
<p>THIS DRAWING IS SUPPLIED IN CONFORMANCE AND THE COPYRIGHT THEREOF IS THE PROPERTY OF GLEN DIMPLEX. IT MUST NOT BE USED BY A THIRD PARTY WITHOUT PRIOR PERMISSION.</p> <p>PROJECT: Opti-V Stove - 360</p> <p>TITLE: Wiring Diagram</p> <p>DRG. NO: 0/11842/0</p> <p>NO. OFF: A3</p> <p>Sheet 1 of 1</p>																																					